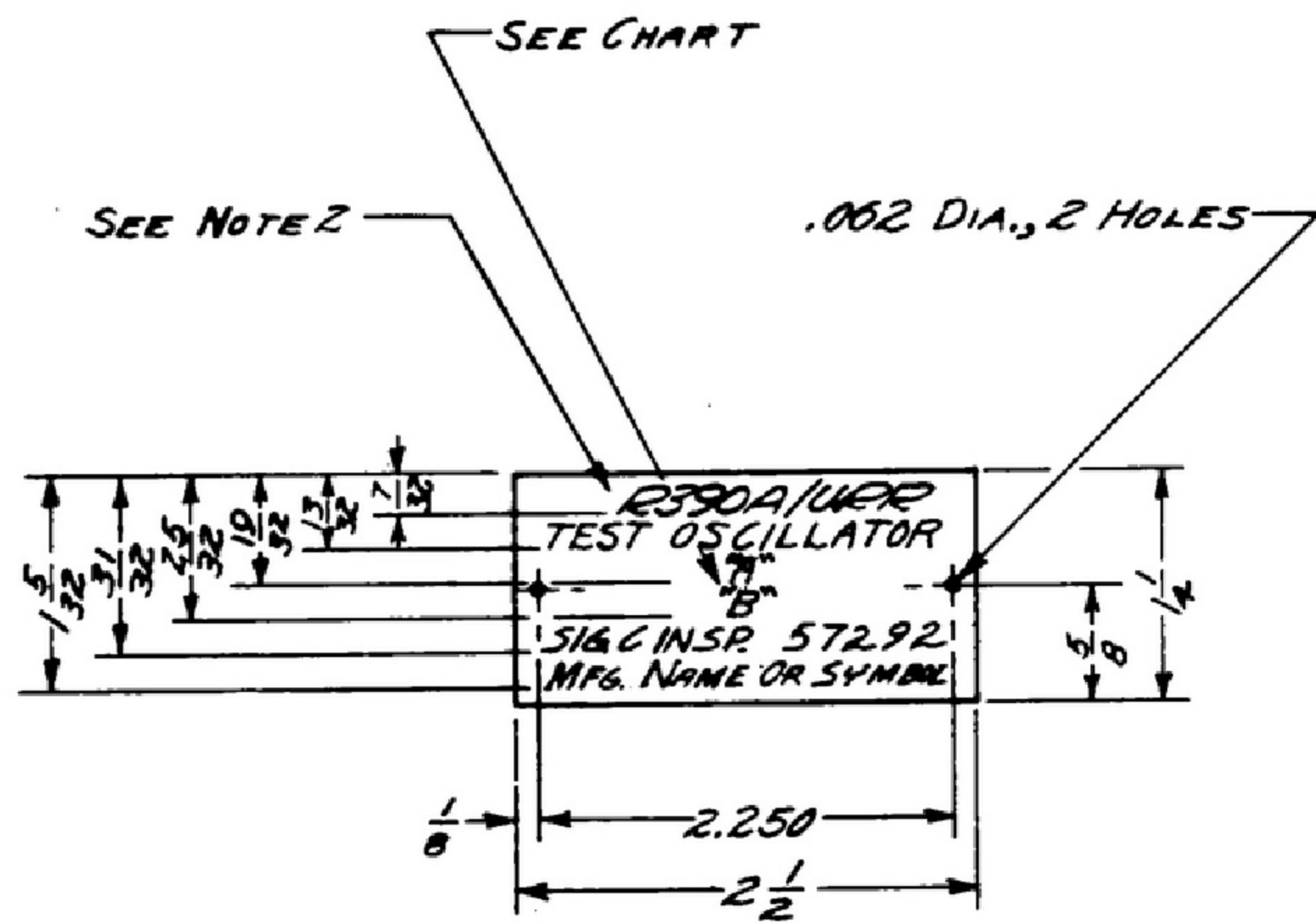


UNLESS OTHERWISE SPECIFIED, DIMENSIONS ARE TO BE TAKEN FROM THE SURFACE UNLESS OTHERWISE INDICATED. DIMENSIONS ARE TO BE TAKEN FROM THE SURFACE UNLESS OTHERWISE INDICATED. DIMENSIONS ARE TO BE TAKEN FROM THE SURFACE UNLESS OTHERWISE INDICATED.

THE WEIGHT AND MASS PURCHASED BY THE GOVERNMENT AND NOT AN EXPENSE ARE TO BE TAKEN FROM THE SURFACE UNLESS OTHERWISE INDICATED.

\* FOR INFORMATION ONLY. CONTRACTOR MAY AT HIS OPTION DEVIATE FROM THESE PROCESS DETAILS.



PART NO.	LINE "A"	LINE "B"
SM-C-3195B-1	ANT. COIL T201	0.5-1.0 MC
-2	ANT. COIL T202	1.0-2.0 MC
-3	ANT. COIL T203	2.0-4.0 MC
-4	ANT. COIL T204	4.0-8.0 MC
-5	ANT. COIL T205	8.0-16.0 MC
-6	ANT. COIL T206	16.0-32.0 MC
-7	RF COIL Z201	0.5-1.0 MC
-8	RF COIL Z202	1.0-2.0 MC
-9	RF COIL Z203	2.0-4.0 MC
-10	RF COIL Z204	4.0-8.0 MC
-11	RF COIL Z205	8.0-16.0 MC
-12	RF COIL Z206	16.0-32.0 MC

5052-H34 ALUM COND 1/2 H PER QQ-A-318  
20 GA B & S (.032)

- NOTES:
1. FINISH: E513 PER SPEC MIL-F-14072.
  2. METAL STAMP CHARACTERS IN VERTICAL GOTHIC 1/8 HIGH SPACED & CENTERED AS SHOWN. AFTER FINISH HAS DRIED FILL CHARACTERS WITH BLACK #3725 PER SPEC TT-C-595.

SM-D-33207	
SM-D-33314	
SM-D-33313	
SM-D-33312	
SM-D-33311	
SM-D-33310	
SM-D-33309	
SM-D-33308	
SM-D-33307	
SM-D-33306	
SM-D-33305	
SM-D-33304	5661-57655
NEXT ARMY	USED ON
APPLICATION	

UNLESS OTHERWISE SPECIFIED  
DIMENSIONS ARE IN INCHES  
TOLERANCES ON  
FRACTIONS DECIMALS ANGLES  
± 1/64 ± .005

QTY	REQ	PART NO.	DESCRIPTION	QTY	FINISHED QTY	QTY	NOTES
LIST OF MATERIAL							
			<b>NAME PLATE</b>	DEPARTMENT OF THE ARMY SIGNAL CORPS ENGINEERING LABORATORIES			
			FOR OSC BOX FOR INTERCHANGEABILITY GAGE	PORT MONMOUTH NEW JERSEY			
			SM-C-31958				
			REVIEWED XXX				
			APPROVED				
			DATE 28 AUG 56				
			SCALE 1/1				